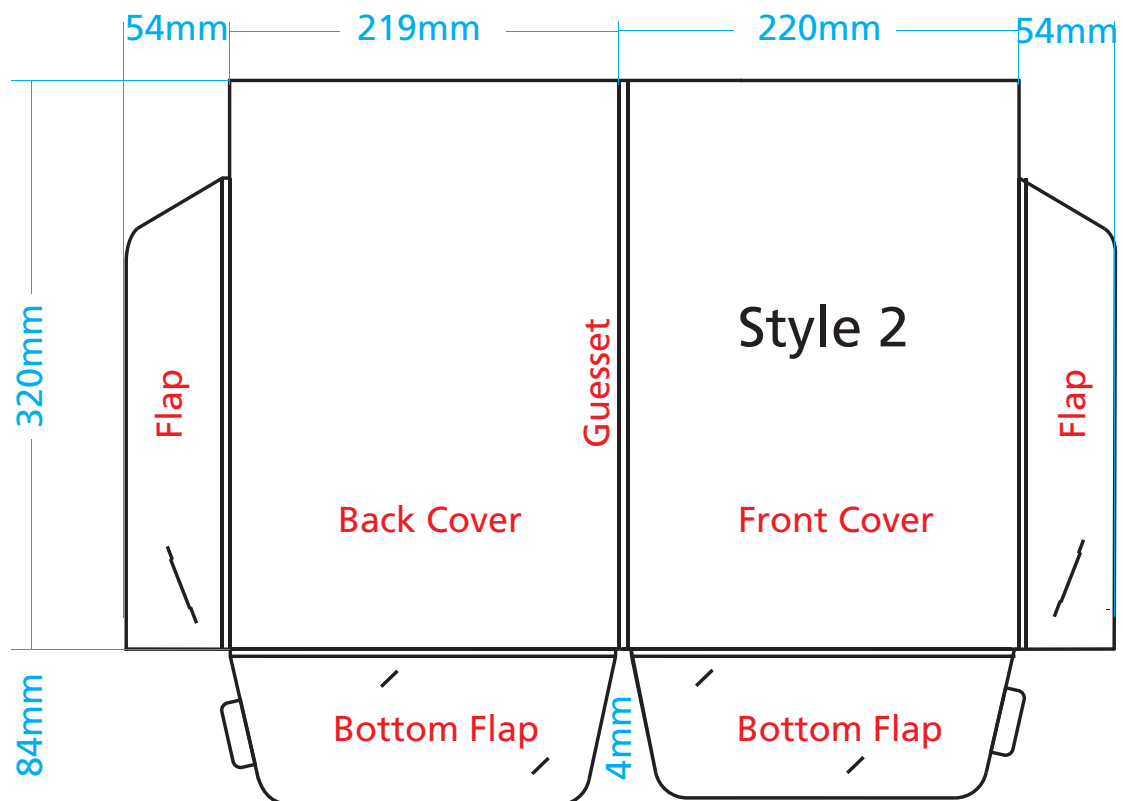
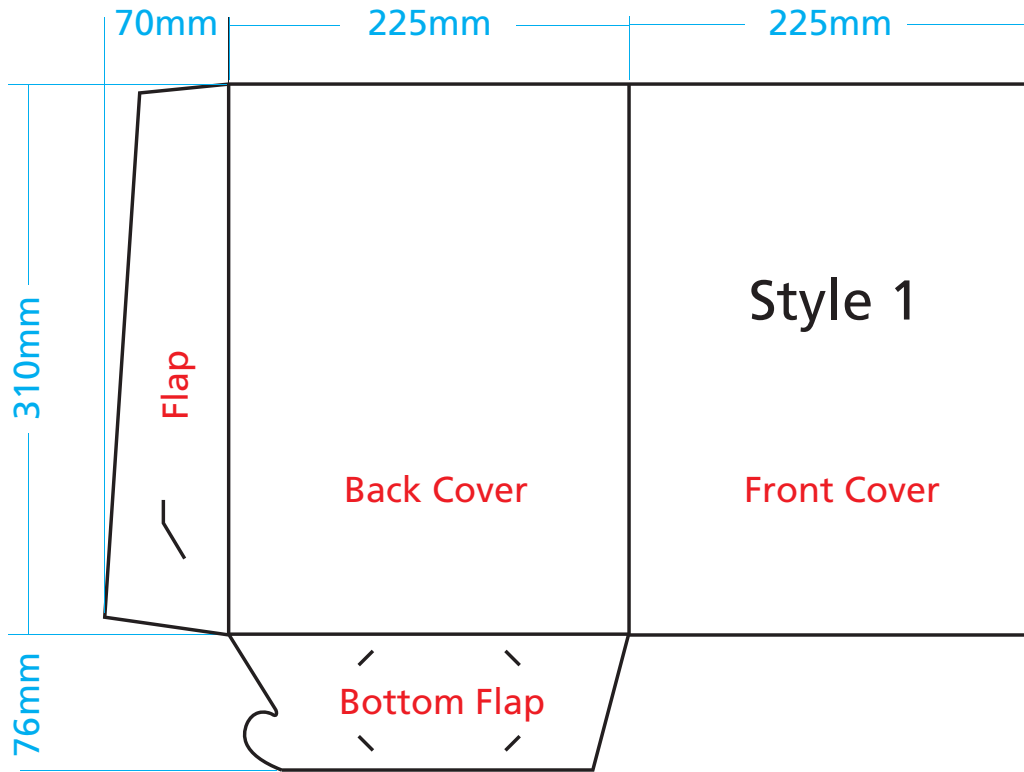


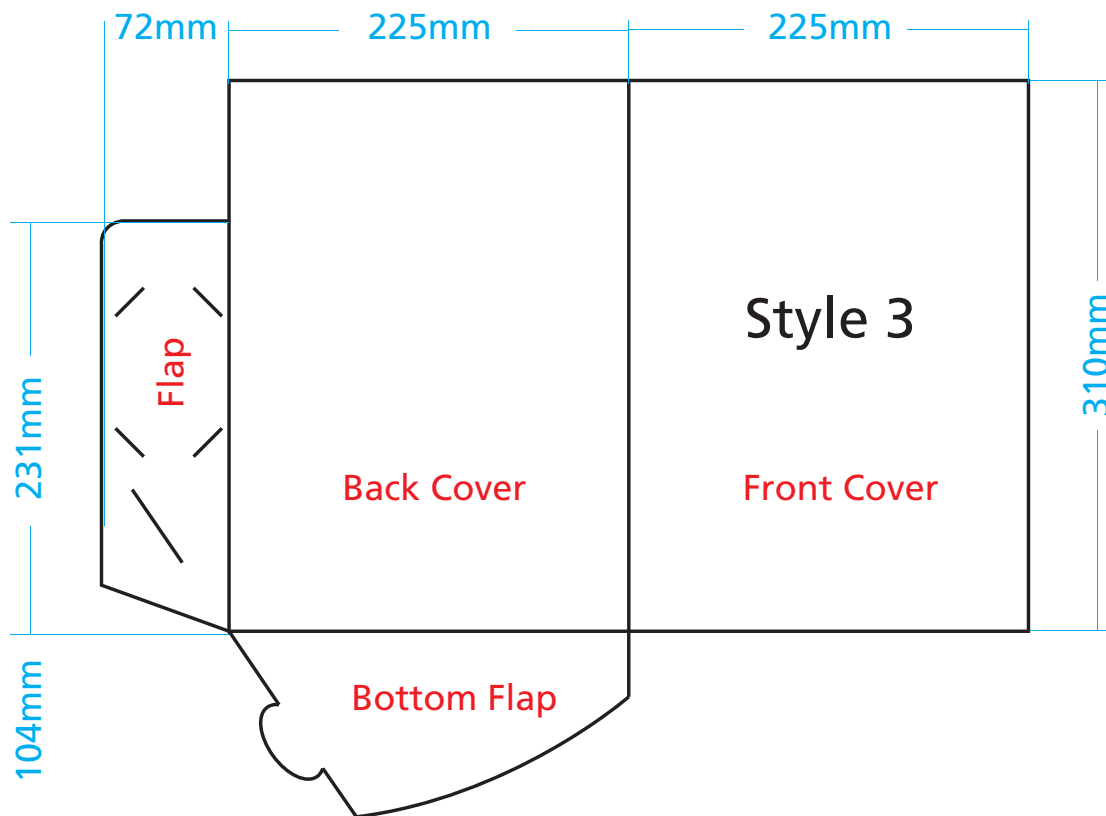


PRESENTATION FOLDER GUIDELINE (1)



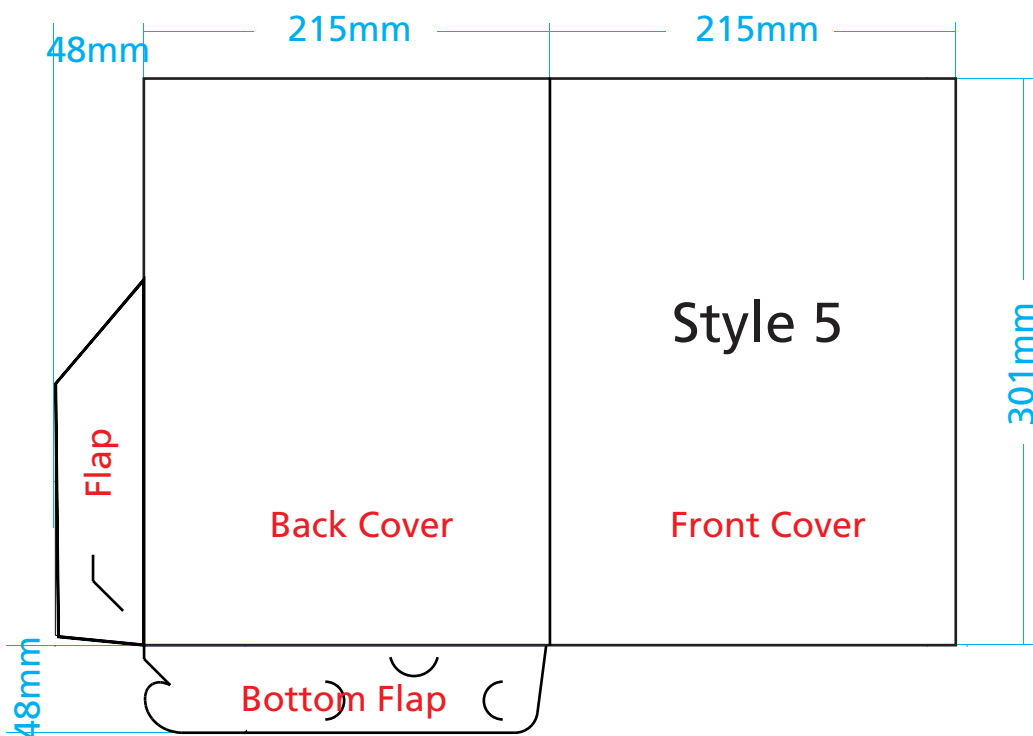
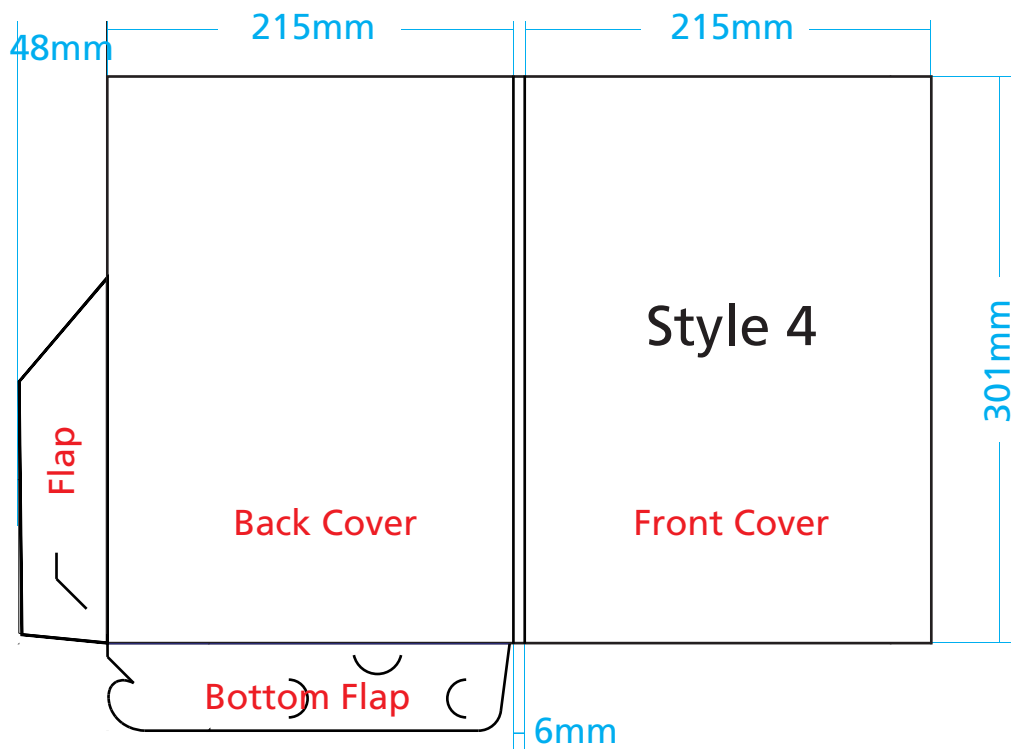


PRESENTATION FOLDER GUIDELINE (2)





PRESENTATION FOLDER GUIDELINE (3)





PRESENTATION FOLDER GUIDELINE (4)

